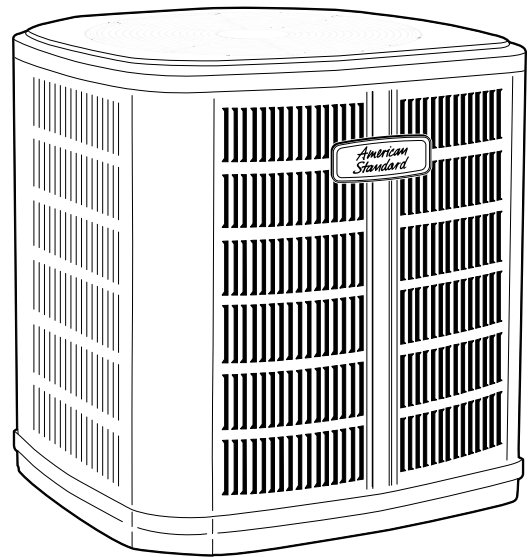


# Submittal

## Split System Cooling

4A7A6030J1000A

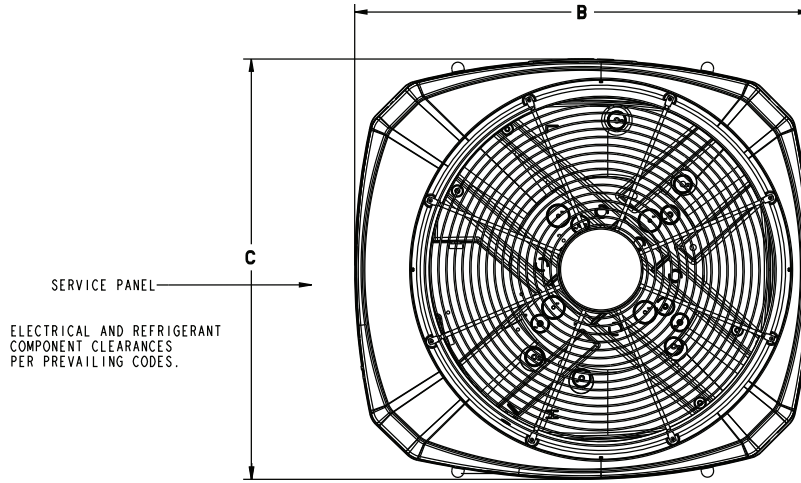


**Note:** "Graphics in this document are for representation only. Actual model may differ in appearance."

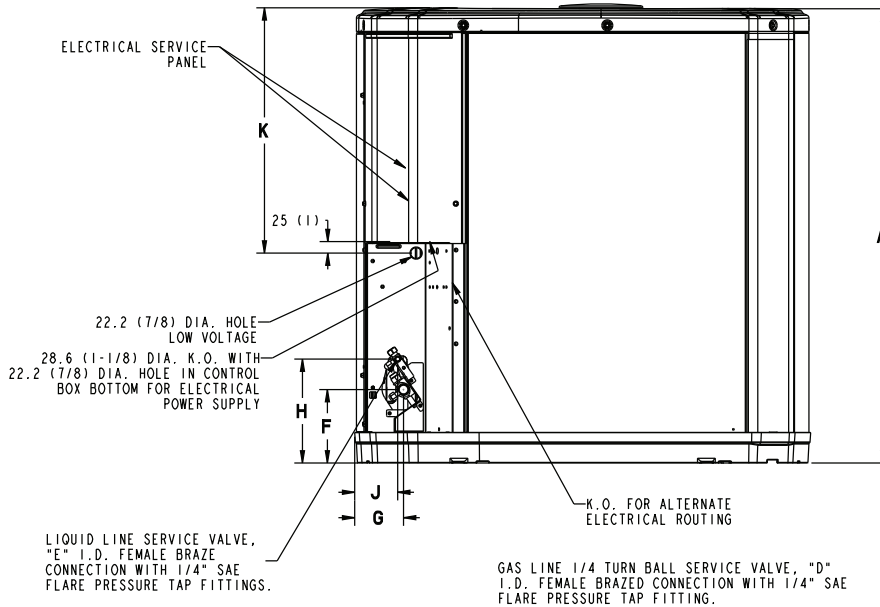
TAG: \_\_\_\_\_

### **▲ SAFETY WARNING**

Only qualified personnel should install and service the equipment. The installation, starting up, and servicing of heating, ventilating, and air-conditioning equipment can be hazardous and requires specific knowledge and training. Improperly installed, adjusted or altered equipment by an unqualified person could result in death or serious injury. When working on the equipment, observe all precautions in the literature and on the tags, stickers, and labels that are attached to the equipment.



TOP DISCHARGE AREA SHOULD BE UNRESTRICTED FOR AT LEAST 1524 (5 FEET) ABOVE UNIT. UNIT SHOULD BE PLACED SO ROOF RUN-OFF WATER DOES NOT POUR DIRECTLY ON UNIT, AND SHOULD BE AT LEAST 305 (12") FROM WALL AND ALL SURROUNDING SHRUBBERY ON TWO SIDES. OTHER TWO SIDES UNRESTRICTED.



Model	Base	A	B	C	D	E	F	G	H	J	K
4A7A6030J	3	933 (36-3/4)	829 (32-5/8)	756 (29-3/4)	3/4	3/8	143 (5-5/8)	92 (3-5/8)	210 (8-1/4)	79 (3-1/8)	508 (20)

SOUND POWER LEVEL									
Model	A-Weighted Sound Power Level [dB(A)]	Full Octave Sound Power [dB]							
		63 Hz*	125 Hz	250 Hz	500 Hz	1000 Hz	2000 Hz	4000 Hz	8000 Hz
4A7A6030J	73	79	69	67	70	70	64	59	53

Note: Rated in accordance with AHRI Standard 270-2008      \*For Reference Only

# Product Specifications

<b>OUTDOOR UNIT</b> <sup>(a) (b)</sup>	4A7A6030J1000A
POWER CONNS. — V/PH/HZ <sup>(c)</sup>	208/230/1/60
MIN. BRCH. CIR. AMPACITY	17
BR. CIR. PROT. RTG. — MAX. (AMPS)	25
<b>COMPRESSOR</b>	DURATION™- SCROLL
NO. USED — NO. STAGES	1 — 1
VOLTS/PH/HZ	208/230/1/60
R.L. AMPS <sup>(d)</sup> — L.R. AMPS	12.8 — 67.8
FACTORY INSTALLED	
START COMPONENTS <sup>(e)</sup>	NO (Uses BAYKSKT263)
INSULATION/SOUND BLANKET	NO
COMPRESSOR HEAT	NO
<b>OUTDOOR FAN</b>	PROPELLER
DIA. (IN.) — NO. USED	23.02 — 1
TYPE DRIVE — NO. SPEEDS	DIRECT — 1
CFM @ 0.0 IN. W.G. <sup>(f)</sup>	2900
NO. MOTORS — HP	1 — 1/8
MOTOR SPEED R.P.M.	850
VOLTS/PH/HZ	200/230/1/60
F.L. AMPS	0.64
<b>OUTDOOR COIL — TYPE</b>	SPINE FIN™
ROWS — F.P.I.	1 — 24
FACE AREA (SQ. FT.)	21.25
TUBE SIZE (IN.)	3/8
<b>REFRIGERANT</b>	
LBS. — R-410A (O.D. UNIT) <sup>(g)</sup>	6 LBS., 7 OZ
FACTORY SUPPLIED	YES
LINE SIZE — IN. O.D. GAS <sup>(h) (i)</sup>	3/4
LINE SIZE — IN. O.D. LIQ.	3/8
<b>CHARGING SPECIFICATIONS</b>	
SUBCOOLING	8°F
<b>DIMENSIONS</b>	H X W X D
CRATED (IN.)	42 x 30.1 x 33
<b>WEIGHT</b>	
SHIPPING (LBS.)	220
NET (LBS.)	184

- (a) Certified in accordance with the Air-Source Unitary Air-conditioner Equipment certification program, which is based on AHRI standard 210/240.
- (b) Rated in accordance with AHRI standard 270.
- (c) Calculated in accordance with Natl. Elec. Codes. Use only HACR circuit breakers or fuses.
- (d) This value shown for compressor RLA on the unit nameplate and on this specification sheet is used to compute minimum branch circuit ampacity and max. fuse size. The value shown is the branch circuit selection current.
- (e) No means no start components. Yes means quick start kit components. PTC means positive temperature coefficient starter. Optional kit shown.
- (f) Standard Air — Dry Coil — Outdoor
- (g) This value approximate. For more precise value see unit nameplate.
- (h) For standard, recommended linear length and lift applications, see the Subcool Charging Chart on page 5. For greater lengths and other applications, consult refrigerant piping software Pub. No. 32-3312-xx (xx denotes latest revision).
- (i) Trane outdoor condensing units are factory charged with the system charge required for the outdoor condensing unit and 15 feet of tested connecting lines. If connecting line length exceeds 15 feet, then final refrigerant charge adjustment is necessary. Each additional foot over 15 feet requires 0.6 lbs of refrigerant. See the Installer's Guide for full charging instructions.

*American Standard*®

HEATING & AIR CONDITIONING

## Mechanical Specification Options

### General

The Outdoor Units are fully charged from the factory for up to 15 feet of piping. This unit is designed to operate at outdoor ambient temperatures as high as 115°F. Cooling capacities are matched with a wide selection of air handlers and furnace coils that are AHRI certified. The unit is certified to UL 1995. Exterior is designed for outdoor application.

### Casing

Unit casing is constructed of heavy gauge, galvanized steel and painted with a weather-resistant powder paint finish on all louvered panels and the fan top panel. The corner panels are pre-painted. All panels are subjected to our 1,000 hour salt spray test. The base is made of a CMBP-G30 weatherproof material to resist corrosion.

### Refrigerant Controls

Refrigeration system controls include condenser fan, compressor contactor and high pressure switch. High and low pressure controls are inherent to the compressor. A factory supplied liquid line drier is standard. Some models may require field installation.

### Compressor

The compressor features internal over temperature, pressure protection and total dipped hermetic motor. Other features include: Centrifugal oil pump and low vibration and noise.

### Condenser Coil

The outdoor coil provides low airflow resistance and efficient heat transfer. The coil is protected on all four sides by louvered panels.

### Low Ambient Cooling

As manufactured, this system has a cooling capacity to 55°F. The addition of an evaporator defrost control permits operation to 40°F. The addition of an evaporator defrost control with TXV permits low ambient cooling to 30°F.

**Thermostats**—Cooling only and heat/cooling (manual and automatic change over). Sub-base to match thermostat and locking thermostat cover.

**Evaporator Defrost Control** — See Low Ambient Cooling.



*American Standard*®

HEATING & AIR CONDITIONING

American Standard optimizes the performance of homes and buildings around the world. A business of Ingersoll Rand, the leader in creating and sustaining safe, comfortable and energy efficient environments, American Standard offers a broad portfolio of advanced controls and HVAC systems, comprehensive building services, and parts. For more information, visit [www.americanstandardair.com](http://www.americanstandardair.com).

American Standard has a policy of continuous product and product data improvements and reserves the right to change design and specifications without notice.

©2015 American Standard Heating & Air Conditioning  
4A7A6030J-SUB-1A-EN 01 Oct 2015  
Supersedes (New)

