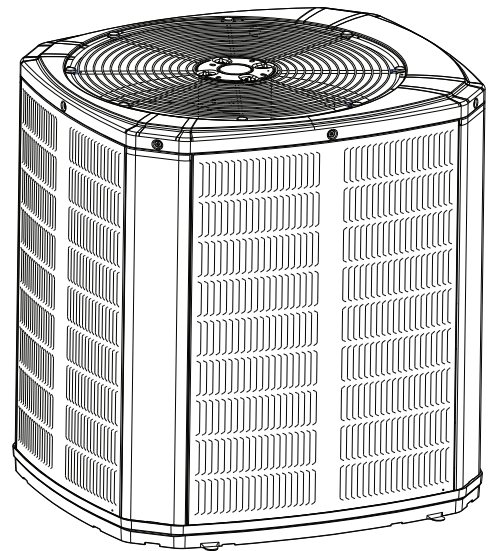


# Submittal

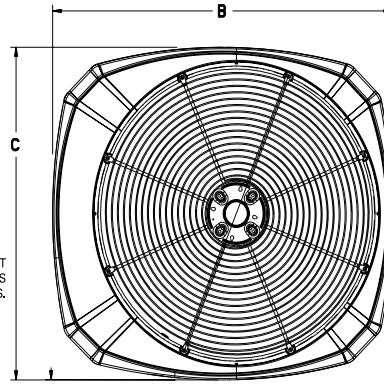
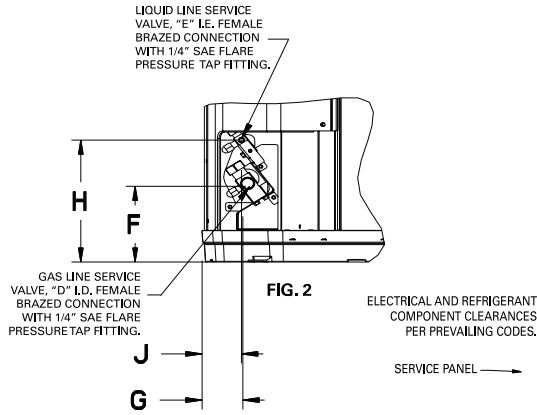
**Variable Speed  
AccuLink™  
Air Conditioner  
4A7V0036B1000A**



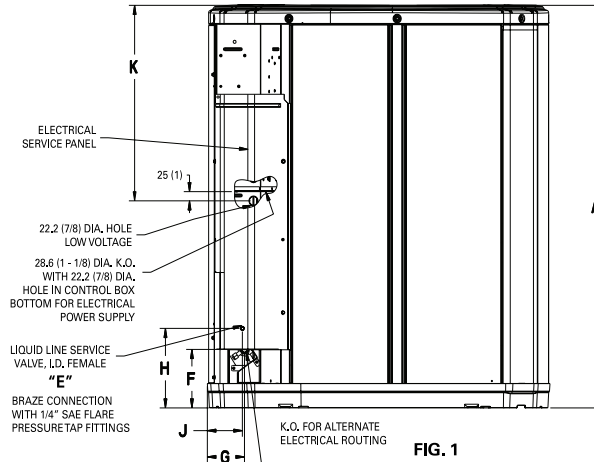
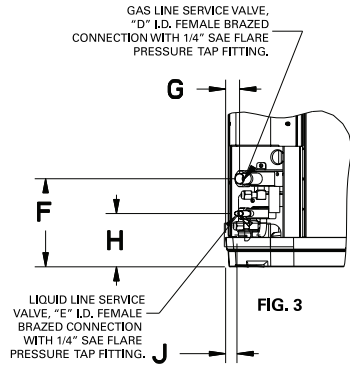
TAG: \_\_\_\_\_

## **▲ SAFETY WARNING**

Only qualified personnel should install and service the equipment. The installation, starting up, and servicing of heating, ventilating, and air-conditioning equipment can be hazardous and requires specific knowledge and training. Improperly installed, adjusted or altered equipment by an unqualified person could result in death or serious injury. When working on the equipment, observe all precautions in the literature and on the tags, stickers, and labels that are attached to the equipment.



TOP DISCHARGE AREA SHOULD BE UNRESTRICTED FOR AT LEAST 1524 (5 FEET) ABOVE UNIT. UNIT SHOULD BE PLACED SO ROOF RUN-OFF WATER DOES NOT POUR DIRECTLY ON UNIT, AND SHOULD BE AT LEAST 305 (12") FROM WALL AND ALL SURROUNDING SHRUBBERY ON TWO SIDES. OTHER TWO SIDES UNRESTRICTED



I.D. FEMALE BRAZED CONNECTION WITH 1/4 SAE FLARE PRESSURE TAP FITTING.

Model	Base	A	B	C	D	E	F	G	H	J	K
4A7V0036B	4	1045 (41-1/8)	946 (37-1/4)	870 (34-1/4)	19-3/4	10-3/8	127 (5)	76 (3)	197 (7-3/4)	57 (2-1/4)	813 (32)

SOUND POWER LEVEL											
Model	Mode	Speed	A-Weighted Sound Power Level [dB(A)]	Full Octave Sound Power [dB]							
				63 Hz	125 Hz	250 Hz	500 Hz	1000 Hz	2000 Hz	4000 Hz	8000 Hz
4A7V0036B	Cool	Min	59	69.3	56.0	54.8	54.5	56.8	46.6	38.0	39.0
	Cool	Max	70	79.7	70.2	68.5	66.3	65.8	63.2	56.9	51.4

Note: Rated in accordance with AHRI Standard 270-2008

<b>OUTDOOR UNIT</b> <sup>(a) (b)</sup>	4A7V0036B1000A
POWER CONNS. — V/PH/HZ <sup>(c)</sup>	208/230/1/60
MIN. BRCH. CIR. AMPACITY	18.0
BR. CIR. PROT. RTG. — MAX. (AMPS)	25
<b>COMPRESSOR</b>	SCROLL
NO. USED — NO. SPEEDS	1-VARIABLE
R.L. AMPS <sup>(d)</sup> — L.R. AMPS	12.4 — 10.2
<b>FACTORY INSTALLED</b>	
START COMPONENTS <sup>(e)</sup>	NA
INSULATION/SOUND BLANKET	YES
COMPRESSOR HEAT	YES
<b>OUTDOOR FAN</b>	
DIA. (IN.) — NO. USED	23 — 1
TYPE DRIVE — NO. SPEEDS	DIRECT — VARIABLE
CFM @ 0.0 IN. W.G. <sup>(f)</sup>	2850
NO. MOTORS — HP	1 — 1/3
MOTOR SPEED R.P.M.	200 — 1200
VOLTS/PH/HZ	208/230/1/60
F.L. AMPS	2.8
<b>OUTDOOR COIL — TYPE</b>	SPINE FIN™
ROWS — F.P.I.	1 — 24
FACE AREA (SQ. FT.)	23.75
TUBE SIZE (IN.)	3/8
<b>REFRIGERANT</b>	R410-A
LBS. — R-410A (O.D. UNIT) <sup>(g)</sup>	9 lb — 6 oz
FACTORY SUPPLIED	YES
LINE SIZE — IN. O.D. GAS <sup>(h)</sup>	3/4
LINE SIZE — IN. O.D. LIQ. <sup>(h)</sup>	3/8
<b>CHARGING SPECIFICATIONS</b>	
SUBCOOLING	10°
<b>DIMENSIONS</b>	H X W X D
CRATED (IN.)	46.4 X 35.1 X 38.7
<b>WEIGHT</b>	
SHIPPING (LBS.)	248
NET (LBS.)	225

- (a) Certified in accordance with the Air-Source Unitary Air-conditioner Equipment certification program, which is based on AHRI standard 210/240.
- (b) Rated in accordance with AHRI standard 270.
- (c) Calculated in accordance with Natl. Elec. Codes. Use only HACR circuit breakers or fuses.
- (d) This value shown for compressor RLA on the unit nameplate and on this specification sheet is used to compute minimum branch circuit ampacity and max. fuse size. The value shown is the branch circuit selection current.
- (e) No means no start components. Yes means quick start kit components. PTC means positive temperature coefficient starter.
- (f) Standard Air — Dry Coil — Outdoor
- (g) This value approximate. For more precise value see unit nameplate.
- (h) Max. linear length 150 ft.; Max. lift — Suction 50 ft.; Max. lift — Liquid 50 ft.

## Mechanical Specification Options

### General

The Outdoor Units are charged from the factory for matched indoor section and up to 15 feet of piping. This unit is designed to operate at outdoor ambient temperatures from 55° F to 120° F in cooling and from — 10° F to 66° F in heating. Only AHRI approved indoor matches are approved for use with these models.

### AccuLink™

This outdoor unit contains the AccuLink™ digital communication with 2 wire connection to outdoor and Plug-n-Play set up.

### Casing

Unit casing is constructed of heavy gauge. G60 galvanized steel and painted with a weather-resistant powder paint on all louvered panels and prepaint on all other panels. Corrosion and weatherproof CMBP-G30 DuraBase™ base.

### Refrigerant Controls

Refrigeration system controls include condenser fan, compressor contactor and high and low pressure switches. A factory supplied, field installed filter is standard.

### Compressor

Inverter driven scroll compressor with 25 to 100% output capacity on heat pumps and 30 to 100% output capacity on air conditioners. Noise enclosure minimizes sound levels and built in compressor protection protects compressor will reduce operating speed and current draw to maintain operation while protecting the compressor.

### Condenser Coil

The Spine Fin™ outdoor coil provides low airflow resistance and efficient heat transfer. The coil is protected on all four sides by louvered panels.

### Low Ambient Cooling

As manufactured, this system has built in freeze protection that will allow cooling operation below 55°F but will reduce capacity or shut down completely to prevent operation under adverse conditions.

### Comfort Control

The 950/850 Control is required and provides Plug-n-Play setup and 3 wire connection.



*American Standard*®  
HEATING & AIR CONDITIONING

American Standard optimizes the performance of homes and buildings around the world. A business of Ingersoll Rand, the leader in creating and sustaining safe, comfortable and energy efficient environments, American Standard offers a broad portfolio of advanced controls and HVAC systems, comprehensive building services, and parts. For more information, visit [www.americanstandardair.com](http://www.americanstandardair.com).

American Standard has a policy of continuous product and product data improvements and reserves the right to change design and specifications without notice.

©2014 American Standard Heating & Air Conditioning  
4A7V0036B-SPEC-1-EN 17 Nov 2014  
Supersedes (New)

