

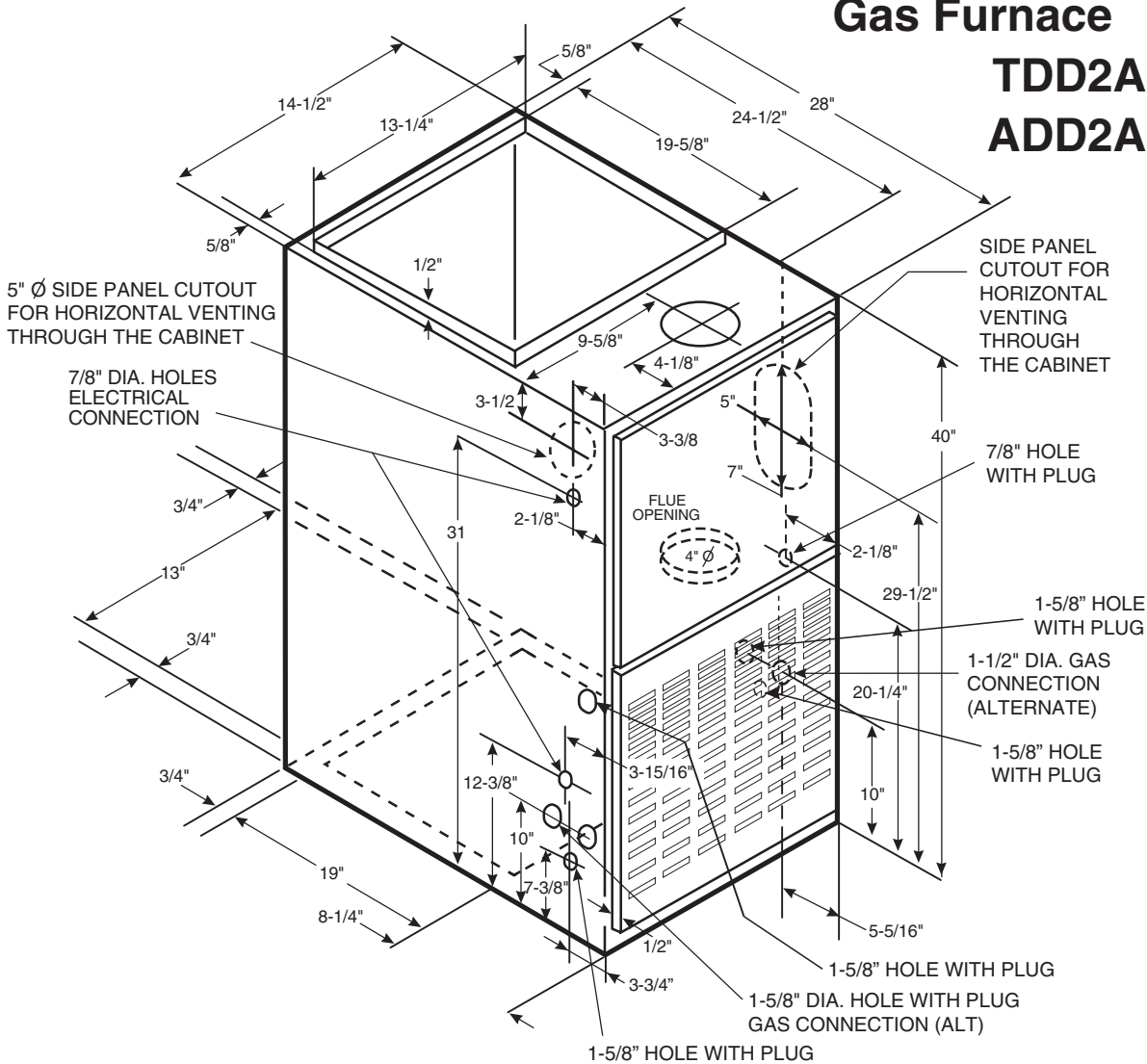
TAG: \_\_\_\_\_

# SUBMITTAL

## Downflow/Horizontal Induced Draft Two Stage Gas Furnace

TDD2A060A9362A

ADD2A060A9362A



**FURNACE AIRFLOW (CFM) VS. EXTERNAL STATIC PRESSURE (IN. W.C.)**

MODEL	SPEED TAP	0.10	0.20	0.30	0.40	0.50	0.60	0.70	0.80	0.90
TDD2A060A9362A ADD2A060A9362A	4 - HIGH - Black	-	1429	1376	1318	1282	1188	1112	1029	959
	3 - MED.-HIGH - Blue	1302	1276	1229	1188	1141	1088	1024	953	882
	2 - MED.-LOW - Yellow	1115	1100	1070	1035	1000	965	918	859	790
	1 - LOW - Red	956	947	918	888	859	824	788	741	682

**CFM VS. TEMPERATURE RISE**

MODEL	CFM (CUBIC FEET PER MINUTE)						
	800	900	1000	1100	1200	1300	1400
TDD2A060A9362A, ADD2A060A9362A	56	49	44	40	37	34	32

# General Data ①

TYPE	Downflow/Horizontal
<b>RATINGS 2</b>	
1st Stage Input BTUH	39,000
1st Stage Capacity BTUH (ICS) 3	31,200
2nd Stage Input BTUH	60,000
2nd Stage Capacity BTUH (ICS) 3	47,000
Temp. rise (Min.-Max.) °F.	30 - 60
<b>BLOWER DRIVE</b>	
	DIRECT
Diameter-Width (In.)	10 x 7
No. Used	1
Speeds (No.)	4
CFM vs. in. w.g.	See Fan Performance
Motor HP	1/3
R.P.M.	1075
Volts/Ph/Hz	115/1/60
<b>COMBUSTION FAN - Type</b>	
	Centrifugal
Drive - No. Speeds	Direct - 2
Motor HP - RPM	1/100 - 2543 / 1727
Volts/Ph/Hz	115/1/60
F.L. Amps	0.70 / 0.40
<b>FILTER — Furnished?</b>	
	No
Type Recommended	High Velocity
Hi Vel. (No.-Size-Thk.) Shipped	2 - 14 x 20 - 1in.

<b>VENT COLLAR — Size (in.)</b>	4 Round
<b>HEAT EXCHANGER</b>	
Type-Fired	Alum. Steel
-Unfired	
Gauge (Fired)	20
<b>ORIFICES — Main</b>	
Nat. Gas. Qty. — Drill Size	3 — 45
L.P. Gas Qty. — Drill Size	3 — 56
<b>GAS VALVE</b>	
	Redundant - Two Stage
<b>PILOT SAFETY DEVICE</b>	
Type	Hot Surface Ignition
<b>BURNERS — Type</b>	
	Multiport Inshot
Number	3
<b>POWER CONN. — V/Ph/Hz ④</b>	
	115/1/60
Ampacity (In Amps)	8.2
Max. Overcurrent Protection (amps)	15
<b>PIPE CONN. SIZE (IN.)</b>	
	1/2
<b>DIMENSIONS</b>	
	H x W x D
Crated (In.)	41 - 3/4 x 16-1/2 x 30-1/2
Uncrated (In.)	40 x 14-1/2 x 28-1/2
<b>WEIGHT</b>	
Shipping (Lbs.)/Net (Lbs)	129 / 119

① Central Furnace heating designs are certified to ANSI Z21.47 / CSA 2.3.

② Ratings shown are for elevations up to 2000 feet. For elevations above 2000 feet; Ratings should be reduced at the rate of 4% for each 1000 feet above sea level.

③ Based on U.S. Government Standard Tests.

④ The above wiring specifications are in accordance with National Electrical Code; however, installations must comply with local codes.

## Mechanical Specifications

**NATURAL GAS MODELS** — Central heating furnace designs are certified by the American Gas Association for both natural and L.P. gas. Limit setting and rating data were established and approved under standard rating conditions using American National Standards Institute standards.

**SAFE OPERATION** — The Integrated System Control has solid state devices, which continuously monitor for presence of flame, when the system is in the heating mode of operation. Dual solenoid combination gas valve and regulator provide extra safety.

**QUICK HEATING** — Durable, cycle tested, heavy gauge **aluminized steel heat exchanger** quickly transfers heat to provide warm conditioned air to the structure. **Low energy power vent blower**, to increase efficiency and provide discharge of gas fumes to the outside, allows common venting with hot water heater.

**BURNERS** — Multi-port, in-shot burners will give years of quiet and efficient service. All models can be converted to **L.P. gas** without changing burners.

**INTEGRATED SYSTEM CONTROL** — Exclusively designed operational program provides total control of furnace limit sensors, blowers, gas valve, flame control and includes self diagnostics for ease of service.

**AIR DELIVERY** — The multispeed, direct-drive blower motor, with sufficient airflow range for most heating and cooling requirements, will switch from heating to cooling speeds on demand from room thermostat. The blower door safety switch will prevent or terminate furnace operation when the blower door is removed. (Fan relay and 35VA control transformer is standard).

**STYLING** — **Heavy gauge steel and "wraparound" cabinet construction** is used in the cabinet with baked-on enamel finish for strength and beauty. The heat exchanger section of the cabinet is completely lined with foil-faced fiberglass insulation. This results in quiet and efficient operation due to the excellent acoustical and insulating qualities of fiberglass.

**FEATURES AND GENERAL OPERATION** — These High Efficiency Gas Furnaces employ a Hot Surface Ignition system, which eliminates the waste of a constantly burning pilot. The integrated system control lights the main burners upon a demand for heat from the room thermostat. Complete front service access.

- Low energy power venter.
- Vent proving differential switch.

Since Ingersoll Rand has a policy of continuous product and product data improvement, it reserves the right to change specifications and design without notice.

Technical Literature - Printed in U.S.A.

Ingersoll Rand  
6200 Troup Highway  
Tyler, TX 75707



Library	Unitary
Product Section	Furnaces
Product	Furnace
Model	TDD2
Literature Type	Submittal
Sequence	-
Date	05/15
File No.	TDD2A060-SUB-1B
Supersedes	TDD2A060-SUB-1A