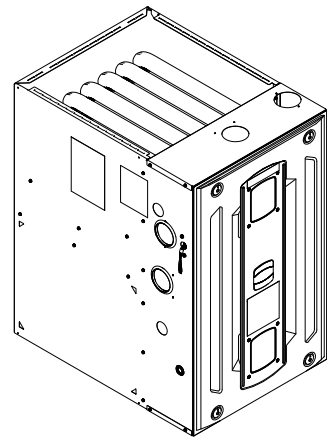


Submittal

Upflow/ Horizontal Left/Right Two Stage Condensing Gas Fired Furnace 120,000 BTUH

Upflow, Convertible to
Horizontal Right or
Horizontal Left
S9V2D120U5PSBA



Note: Graphics in this document are for representation only. Actual model may differ in appearance.

TAG: _____

▲ SAFETY WARNING

Only qualified personnel should install and service the equipment. The installation, starting up, and servicing of heating, ventilating, and air-conditioning equipment can be hazardous and requires specific knowledge and training. Improperly installed, adjusted or altered equipment by an unqualified person could result in death or serious injury. When working on the equipment, observe all precautions in the literature and on the tags, stickers, and labels that are attached to the equipment.

March 2017

S9V2D120U5-SUB-1A-EN

 Ingersoll Rand.

Product Specification

MODEL	S9V2D120U5PSBA (a)
TYPE	Upflow/Horizontal
RATINGS (b)	
1st Stage Input BTUH (ICS)	78,000
1st Stage Capacity BTUH	75,660
2nd Stage Input BTUH	120,000
2nd Stage Capacity BTUH (ICS) (c) (d)	116,400
1st Stage Temp. Rise (Min.-Max.)	35-65
2nd Stage Temp. Rise (Min.-Max.)	40-70
AFUE (%)	96.0
BLOWER DRIVE	DIRECT
Diameter — Width (In.)	11 X 10
No. Used	1
Speeds (No.)	Variable
CFM vs. in. w.g.	See Fan Performance Table
Motor HP	1
RPM	Variable
Volts/Ph/Hz	120 / 1 / 60
FLA	10.5
COMBUSTION FAN — Type	Centrifugal
Drive — No. Speeds	Direct - 2
Motor HP — RPM	3300/2600
Volts/Ph/Hz	120 / 1 / 60
FLA	0.66
FILTER — Furnished?	No
Type recommended	High Velocity
Hi Vel. (No.-Size-Thk.)	1 — 24x25 — 1 in.
VENT PIPE DIAMETER — Min (in.) (e) (f)	3 Round
HEAT EXCHANGER	

MODEL	S9V2D120U5PSBA (a)
Type — Fired	409 Stainless Steel
— Unfired	29-4C Stainless Steel
Gauge (Fired)	20
ORIFICES — Main	
Nat. Gas Qty. — Drill Size	6 - 45
LP Gas Qty. — Drill Size	6- 56
GAS VALVE	Redundant - Two Stage
PILOT SAFETY DEVICE	
Type	120 V SiNi Igniter
BURNERS — Type	Multiport Inshot
Number	6
POWER CONN. — V/Ph/Hz (g)	120 / 1 / 60
Ampacity (In Amps)	13.9
Max. Overcurrent Protection (Amps)	15
PIPE CONN. SIZE (in.)	1/2
DIMENSIONS	H x W x D
Uncrated (In.)	34 x 24-1/2 x 28-3/4
Crated (In.)	35-1/2 x 26-1/2 x 30-7/8
WEIGHT	
Shipping (Lbs.)/Net (Lbs.)	167/156

(a) Meets Energy Star

(b) For U.S. applications, above input ratings (BTUH) are up to 2,000 feet, derate 4% per 1,000 feet for elevations above 2,000 feet above sea level. For Canadian applications, above input ratings (BTUH) are up to 4,500 feet, derate 4% per 1,000 feet for elevations above 4,500 feet above sea level.

(c) Central Furnace heating designs are certified to ANSI Z21.47 / CSA 2.3.

(d) Based on U.S. government standard tests.

(e) Refer to the Vent Length Table in the Installer's Guide.

(f) All S9V2 furnace models have a vent outlet diameter that equals 2 in.

(g) The above wiring specifications are in accordance with National Electrical Code; however, installations must comply with local codes.

Heating and Cooling Airflow Tables

S9V2D120U5PSBA

Table 1. S9V2D120U5PSBA Heating Airflow

S9V2D120U5PSBA Furnace Heating Airflow (CFM) and Power (Watts) vs. External Static Pressure with Filter								
				1st Stage Capacity = 75,660 2nd Stage Capacity = 116,400				
Heating	Airflow Setting	Target Airflow		External Static Pressure				
				0.1	0.3	0.5	0.7	0.9
Heating 1st Stage	Low	1123	CFM	1138	1158	1178	1198	1218
			Temp. Rise	61	60	59	58	57
			Watts	115	176	236	297	358
	Medium Low	1332	CFM	1371	1383	1394	1406	1417
			Temp. Rise	51	50	50	49	49
			Watts	182	251	320	389	457
	Medium ^(a)	1404	CFM	1440	1450	1461	1471	1482
			Temp. Rise	48	48	48	47	47
			Watts	208	283	357	431	505
	High	1620	CFM	1669	1674	1680	1685	1691
			Temp. Rise	42	42	41	41	41
			Watts	315	388	460	533	605
Heating 2nd Stage	Low	1560	CFM	1654	1637	1621	1604	1587
			Temp. Rise	65	66	67	67	68
			Watts	291	360	430	499	568
	Medium Low	1850	CFM	1980	1951	1922	1893	1864
			Temp. Rise	55	56	57	58	58
			Watts	456	539	621	704	787
	Medium ^(a)	1950	CFM	2075	2037	1999	1961	1923
			Temp. Rise	52	53	54	55	56
			Watts	527	611	696	781	865
	High	2250	CFM	2280	2197	2114	2032	1949
			Temp. Rise	48	50	52	54	56
			Watts	795	819	842	865	888

^(a) Factory Setting.

S9V2D120U5PSBA / S9V2D120D5PSBA

Table 2. S9V2D120U5PSBA / S9V2D120D5PSBA Cooling Airflow

S9V2D120U5PSBA / S9V2D120D5PSBA Furnace Cooling Airflow (CFM) and Power (Watts) vs. External Static Pressure with Filter										
Cooling	Unit Outdoor	Airflow Setting (CFM/ton)		External Static Pressure						
				0.1	0.3	0.5	0.7	0.9		
Cooling	3.5 Ton	Cooling 450 CFM/Ton	CFM	1575	1575	1575	1575	1575		
			Watts	248	316	387	461	537		
		Cooling 420 CFM/Ton	CFM	1470	1470	1470	1470	1470		
			Watts	206	270	337	407	479		
		Cooling 400 CFM/Ton	CFM	1400	1400	1400	1400	1400		
			Watts	181	243	307	374	443		
		Cooling 370 CFM/Ton	CFM	1295	1295	1295	1295	1295		
			Watts	148	205	265	328	393		
		Cooling 350 CFM/Ton	CFM	1225	1225	1225	1225	1225		
			Watts	128	182	240	300	363		
		Cooling 330 CFM/Ton	CFM	1155	1155	1155	1155	1155		
			Watts	111	162	217	274	335		
		Cooling 310 CFM/Ton	CFM	1085	1085	1085	1085	1085		
			Watts	95	143	195	250	309		
		Cooling 290 CFM/Ton	CFM	1015	1015	1015	1015	1015		
			Watts	80	126	176	228	285		
		Cooling	4.0 Ton	Cooling 450 CFM/Ton	CFM	1800	1800	1800	1800	1800
					Watts	356	433	514	597	682
Cooling 420 CFM/Ton	CFM			1680	1680	1680	1680	1680		
	Watts			295	368	443	521	601		
Cooling 400 CFM/Ton	CFM			1600	1600	1600	1600	1600		
	Watts			258	328	400	475	552		
Cooling 370 CFM/Ton	CFM			1480	1480	1480	1480	1480		
	Watts			210	274	342	412	484		
Cooling 350 CFM/Ton	CFM			1400	1400	1400	1400	1400		
	Watts			181	243	307	374	443		
Cooling 330 CFM/Ton	CFM			1320	1320	1320	1320	1320		
	Watts			155	213	274	338	405		
Cooling 310 CFM/Ton	CFM			1240	1240	1240	1240	1240		
	Watts			132	187	245	306	369		
Cooling 290 CFM/Ton	CFM			1160	1160	1160	1160	1160		
	Watts			112	163	218	276	337		
Cooling	4.5 Ton			Cooling 450 CFM/Ton	CFM	2025	2025	2025	2025	2025
					Watts	492	579	669	761	855
		Cooling 420 CFM/Ton	CFM	1890	1890	1890	1890	1890		

Heating and Cooling Airflow Tables

Table 2. S9V2D120U5PSBA / S9V2D120D5PSBA Cooling Airflow (continued)

S9V2D120U5PSBA / S9V2D120D5PSBA Furnace Cooling Airflow (CFM) and Power (Watts) vs. External Static Pressure with Filter								
Cooling	Unit Outdoor	Airflow Setting (CFM/ton)		External Static Pressure				
				0.1	0.3	0.5	0.7	0.9
Cooling	5.0 Ton ^(a)	Cooling 400 CFM/Ton	Watts	406	488	572	659	747
			CFM	1800	1800	1800	1800	1800
		Cooling 370 CFM/Ton	Watts	356	433	514	597	682
			CFM	1665	1665	1665	1665	1665
		Cooling 350 CFM/Ton	Watts	288	360	435	512	592
			CFM	1575	1575	1575	1575	1575
		Cooling 330 CFM/Ton	Watts	248	316	387	461	537
			CFM	1485	1485	1485	1485	1485
		Cooling 310 CFM/Ton	Watts	212	277	344	414	487
			CFM	1395	1395	1395	1395	1395
		Cooling 290 CFM/Ton	Watts	180	241	305	371	440
			CFM	1305	1305	1305	1305	1305
		Cooling 450 CFM/Ton	Watts	151	208	269	332	398
			CFM	2250	2250	2250	2188	2103
		Cooling 420 CFM/Ton	Watts	659	756	856	900	922
			CFM	2100	2100	2100	2100	2100
Cooling 400 CFM/Ton	Watts	544	634	728	823	920		
	CFM	2000	2000	2000	2000	2000		
Cooling 370 CFM/Ton	Watts	475	561	650	741	834		
	CFM	1850	1850	1850	1850	1850		
Cooling 350 CFM/Ton ^(a)	Watts	383	463	546	631	717		
	CFM	1750	1750	1750	1750	1750		
Cooling 330 CFM/Ton	Watts	329	405	484	564	647		
	CFM	1650	1650	1650	1650	1650		
Cooling 310 CFM/Ton	Watts	281	352	427	503	582		
	CFM	1550	1550	1550	1550	1550		
Cooling 290 CFM/Ton	Watts	237	305	375	448	523		
	CFM	1450	1450	1450	1450	1450		
Cooling 290 CFM/Ton	Watts	199	262	328	397	468		
	CFM	1450	1450	1450	1450	1450		

^(a) Factory Setting

General Features

NATURAL GAS MODELS

Central Heating furnace designs are certified by the American Gas Association for both natural and L.P. gas. Limit setting and rating data were established and approved under standard rating conditions using American National Standards Institute standards.

SAFE OPERATION

The Integrated System Control is a solid state device which continuously monitors for presence of flame when the system is in the heating mode of operation. Dual solenoid combination gas valve and regulator provide additional safety.

QUICK HEATING

Durable, cycle tested, heavy gauge **tubular stainless steel primary heat exchanger** quickly transfers heat to provide warm conditioned air to the structure. **Low energy power vent blower**, to increase efficiency and provide a positive discharge of gas fumes to the outside.

BURNERS

Multiport Inshot burners will give years of quiet and efficient service. All models can be converted to **L.P. gas** with LP conversion kit.

INTEGRATED SYSTEM CONTROL

Exclusively designed operational program provides total control of furnace limit sensors, blowers, gas valve, flame control and includes self diagnostics for ease of service. Also contains dry contacts for EAC and HUM.

ENERGY EFFICIENT OPERATION

Furnace is certified by the manufacturer to leak 1% or less of nominal air conditioning CFM delivered when pressurized to .5" water column with all inlets, outlets, and drains sealed.

AIR DELIVERY

The variable speed blower motor has sufficient airflow for most heating and cooling requirements and will switch from heating to cooling speeds on demand from room thermostat.

SECONDARY HEAT EXCHANGER

The S-Series furnace has a special type 29- 4C™ stainless steel secondary heat exchanger to reclaim heat from flue gases which would normally be lost.

STYLING

Heavy gauge steel and "wrap-around" cabinet construction is used in the cabinet with baked-on enamel finish for strength and beauty. Every orientation has at least two venting options. There are no knockouts on cabinet.

FEATURES AND GENERAL OPERATION

The S-Series furnace utilizes a Silicon Nitride Hot Surface Ignition system, which eliminates the waste of a constant burning pilot. The integrated system control lights the main burners upon a demand for heat from the room thermostat. Complete front service access.

- a. Low energy power venter
- b. Vent proving pressure switches.

Features and Benefits

96.0% AFUE ACROSS ALL MODELS

Meets utility rebates

Lowers utility bills

ELECTRICALLY EFFICIENT

Efficient airflow design reduces electrical energy use

34 INCH TALL

Lighter, easier to move and fit into tight spaces like short basements or tight closets

Works great with larger, high-efficiency coils

No knockouts

3-WAY MULTI-POISE / DEDICATED DOWNFLOW

9 SKU's — Upflow / Horizontal Left / Horizontal Right

7 SKU's — Downflow

Added application flexibility and reduction in specification errors

AIRFLOW

At least 400 CFM/ton at 0.5 in. H₂O external static pressure; setup airflow options down to 290 CFM/ton

REGULATORY

All models are air tight; 1% or less air leakage as per ASHRAE 193

Open vestibule design provides a full 34" high open vestibule

DIMENSIONS

Widths are industry standard: 17.5", 21", and 24.5"

Depth remains approximately 28"

Cabinet will be compatible with industry standard coils, as well as, other accessories

INTEGRATED FURNACE CONTROL

Setup / Status / Diagnostics / Digital Display

No dip switches

Last six errors stored

Dry contact EAC and HUM connections

All Molex connections; no spade terminals

Low voltage labeled above and below

Rain shield over IFC keeps condensate off the control

TUBULAR STAINLESS STEEL PRIMARY HEAT EXCHANGER

29-4C STAINLESS STEEL SECONDARY HEAT EXCHANGER

Stainless steel is a more durable, corrosive-resistant material than aluminized steel

Integrated rail system for easy access if required

Reduces or eliminates need for baffles

VORTICA II BLOWER, DESIGNED EXCLUSIVELY FOR THE S-SERIES FURNACE

Improved airflow efficiency

Durable, easy to clean, two piece housing

Single piece belly band/ motor arm assembly

Blower deck has full-length rails for easy removal and replacement, regardless of poise

THREE-WAY MULTI-POISE (UPFLOW, HORIZONTAL LEFT AND RIGHT) PLUS DEDICATED DOWNFLOW

Easier to specify

Shipped ready to install (no kits required)

Every model has at least two venting options

When in horizontal, trap extends only about 2"

Barbed fitting on trap at hose connection and on cabinet transition for hose has barbed fitting and clamps at both ends for leak resistance.

Vent table improvements including longer vent lengths; 2" pipe can be used up to 100K



Ingersoll Rand (NYSE: IR) advances the quality of life by creating comfortable, sustainable and efficient environments. Our people and our family of brands — including Club Car®, Ingersoll Rand®, Thermo King® and Trane® — work together to enhance the quality and comfort of air in homes and buildings; transport and protect food and perishables; and increase industrial productivity and efficiency. We are a global business committed to a world of sustainable progress and enduring results.



ingersollrand.com



Ingersoll Rand has a policy of continuous product and product data improvements and reserves the right to change design and specifications without notice.

We are committed to using environmentally conscious print practices.